

Roadway Series

Lifespan 50,000hrs
Ambient Temperature -40 C ~ +40 C
Humidity ≤95%

Hot selling Street Light

LM-79

LM-80

FEATURES

- ▶ High pressure die cast aluminum gearbox, Antin-static powder coat finish.
- ▶ Beautiful appearance, Easy Installation, Maintenance Free.
- ▶ High efficient **LUXEON** LED Chip module ensures excellent performance.
- ▶ IP Rating: IP66

Application

- ▶ Roadways, Freeways, Highways, Parking lots, Off-street areas, etc

CERTIFICATION



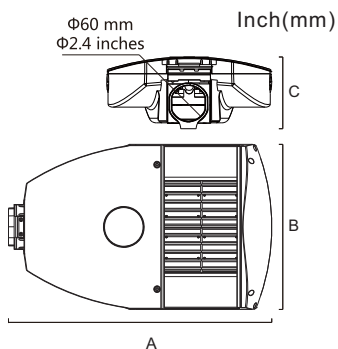
Sensor for Option



SPECIFICATIONS

Model	Input Power	ETL	DLC	Input Voltage	CCT	CRI	Delivered Lumens(5K)	Power Factor	THD	Installation
RL31A	35W	YES	YES	100-277V 50/60HZ DC12/24V	2700-6500K	>75	3,500 LM	>0.92	<15%	Φ1.97-2.36" (Φ50-60) Round pole
RL32A	65W	YES	YES				6,500 LM			
RL33A	100W	YES	YES				10,000 LM			
RL34A	135W	YES	YES				13,500 LM			
RL35A	165W	YES	YES				16,500 LM			
RL36A	200W	YES	YES				20,000 LM			
RL37A	230W	YES	YES				23,000 LM			

DIMENSION



Model	A	B	C	Weight(Kg)
RL31A	23.62(600)	12.40(316)	5.40(136)	5.3
RL32A	27.17(690)	12.40(316)	5.40(136)	6.1
RL33A	30.71(780)	12.40(316)	5.40(136)	7.3
RL34A	30.71(780)	12.40(316)	5.40(136)	8.2
RL35A	30.71(780)	12.40(316)	5.40(136)	9.0
RL36A	30.71(780)	12.40(316)	5.40(136)	9.9
RL37A	30.71(780)	12.40(316)	5.40(136)	10.8

Distribution Curve Flux

